

Kinetrol Geared Manual Overrides



Photo shows right hand handwheel.



ATEX Category 2

Kinetrol declutchable geared overrides are available for models 05 to 21, rated for the same torques as the actuators and fitted between the actuator and the load.

Models 05 to 14 are supplied with the right hand handwheel option as standard (see drawing below), whereby when the handwheel is moved in a clockwise direction the actuator moves in a counter clockwise direction.

A left hand handwheel option is also available for models 05 to 14.

Models 15 to 21 are only available with a left hand handwheel option.

■ **Declutch lever switch available**

■ **Corrosion resistant - fully sealed to IP65**

Working Temperature Range

-20°C to +80°C (-4°F to +176°F)

Low / High temperature options available on sizes 05 - 14 - contact Kinetrol

Handwheel Orientation

Models 05 - 14 Standard - Right Hand
- Left Hand option available

Models 15 - 21 Standard - Left Hand only

Ordering Codes

Models 05 to 14:

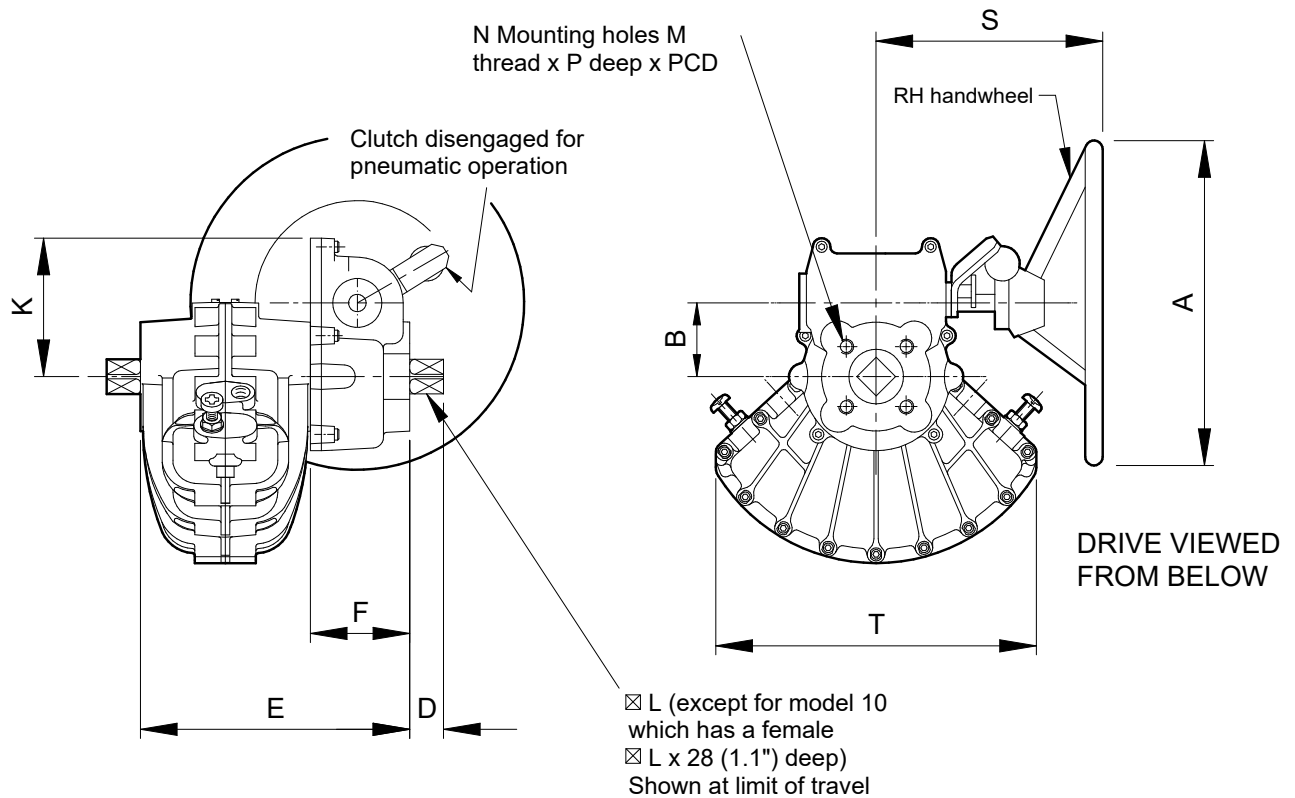
- (Standard right hand handwheel)
Example: 074 K/Box (ISO Version)
 077 K/Box (ANSI Version)

- (Left hand handwheel)
Example: 074 K/Box LH (ISO Version)
* For model 15, 16, 18 and 21 replace 'K' with 'G' and add 'LH'
Example: 164 G/BOX LH (ISO Version)

MODEL	RH HANDWHEEL		LH HANDWHEEL	
	HANDWHEEL DIRECTION	OUTPUT DIRECTION	HANDWHEEL DIRECTION	OUTPUT DIRECTION
05 to 14	CW	CCW	CW	CW
	CCW	CW	CCW	CCW
15 to 21	N/A		CW	CW
			CCW	CCW

Kinetrol Geared Manual Overrides

Dimensions



DRAWING SHOWS RIGHT HAND HANDWHEEL.

Metric Units

Actuator Model (ISO)	A mm	B mm	D mm	E mm	F mm	K mm	L mm	⊠M	N No.	P mm	PCD mm	S mm	T mm	Wt kgs
05	300	67.8	13	170	103	127	9.5	M5	6	12	34.9	220	132	8.40
07	300	67.8	20	192	92	127	16.0	M8	4	16	50.9	220	178	11.20
08	300	67.8	19	202	92	127	17.0	M8	4	16	70.0	220	208	10.61
09	300	67.8	26	218	92	127	19.0	M10	4	20	65.0	220	227	12.06
10	300	67.8	-	267	92	127	22.0	M10	4	20	102.0	220	230	13.40
12	300	67.8	31	248	92	127	25.0	M12	4	25	77.8	220	294	15.40
14	400	67.8	38	292	92	127	28.6	M16	4	28	98.8	250	380	22.36
15*	600	141.0	41	433	188	200	36.0	M20	4	28	165.0	376	433	30.00
16*	600	141.0	55	462	188	200	41.0	M20	4	28	165.0	376	530	45.00
18*	630	145.0	78	606	246	259	57.0	M16	8	24	254.0	471	679	196.00
21*	710	302.0	100	675	265	302	73.0	M20	8	35	298.0	504	842	322.00

English Units

Actuator Model (ANSI)	A inch	B inch	D inch	E inch	F inch	K inch	L inch	⊠M UNC	N No.	N inch	PCD inch	S inch	T inch	Wt lbs
05	11.81	2.67	0.51	6.69	4.06	5.0	0.375	10-24	6	0.47	1.375	8.66	5.20	18.5
07	11.81	2.67	0.79	7.56	3.62	5.0	0.630	5/16	4	0.63	2.000	8.66	7.01	24.7
08	11.81	2.67	0.75	7.95	3.62	5.0	0.670	5/16	4	0.63	2.760	8.66	8.19	23.4
09	11.81	2.67	1.02	8.58	3.62	5.0	0.748	3/8	4	0.79	2.560	8.66	8.94	26.6
10	11.81	2.67	-	10.51	3.62	5.0	0.866	3/8	4	0.79	4.016	8.66	9.06	29.5
12	11.81	2.67	1.22	9.76	3.62	5.0	0.984	1/2	4	0.98	3.060	8.66	11.57	33.9
14	15.70	2.67	1.50	11.50	3.62	5.0	1.125	5/8	4	1.10	3.890	9.84	14.96	49.2
15*	23.62	5.55	1.61	17.05	7.4	7.9	1.417	3/4	4	1.10	6.496	14.80	17.05	66.1
16*	23.62	5.55	2.17	18.19	7.4	7.9	1.614	3/4	4	1.10	6.496	14.80	20.87	99.2
18*	24.80	5.71	3.07	23.86	9.69	10.2	2.244	5/8	8	0.94	10.000	18.54	26.73	432.1
21*	27.95	11.89	3.94	26.57	10.43	11.9	2.874	3/4	8	1.38	11.732	19.84	33.15	709.9